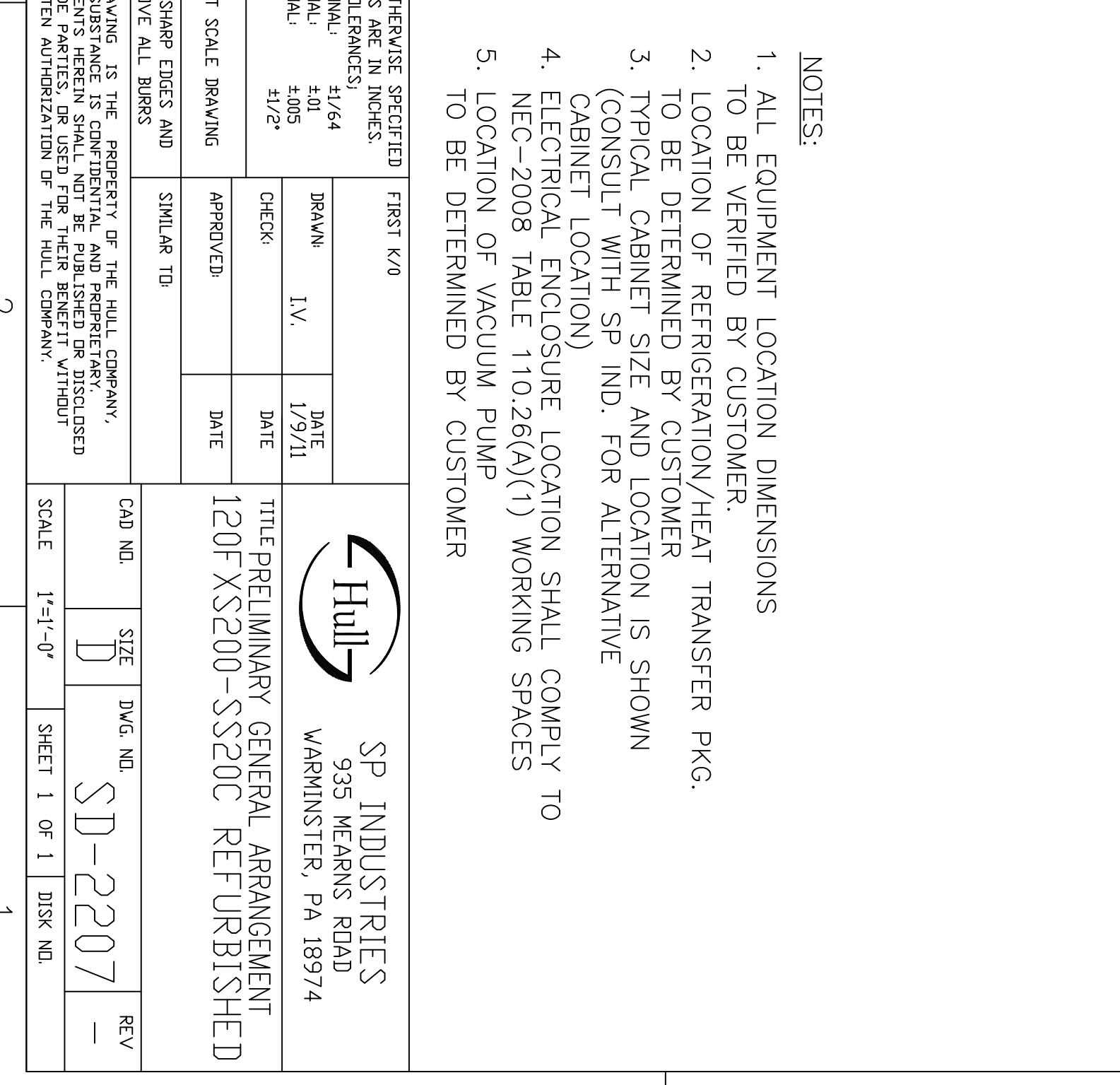
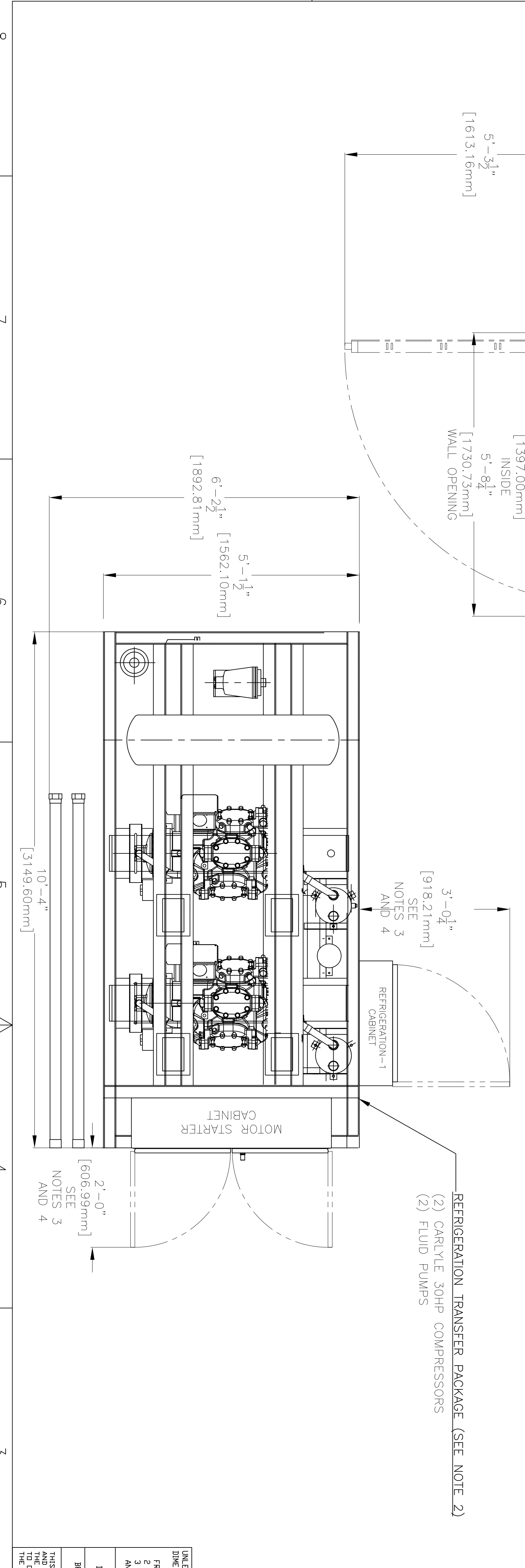
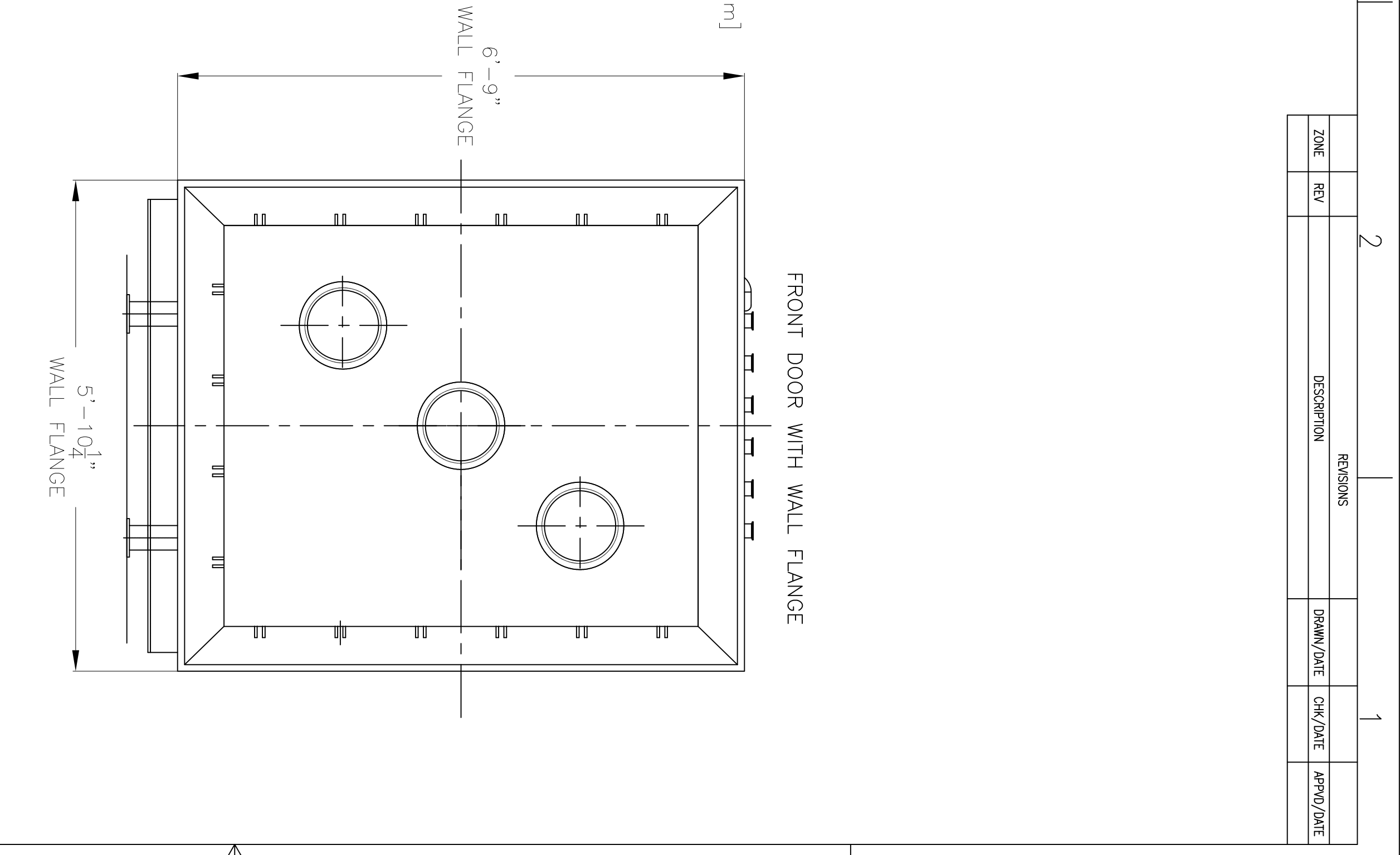
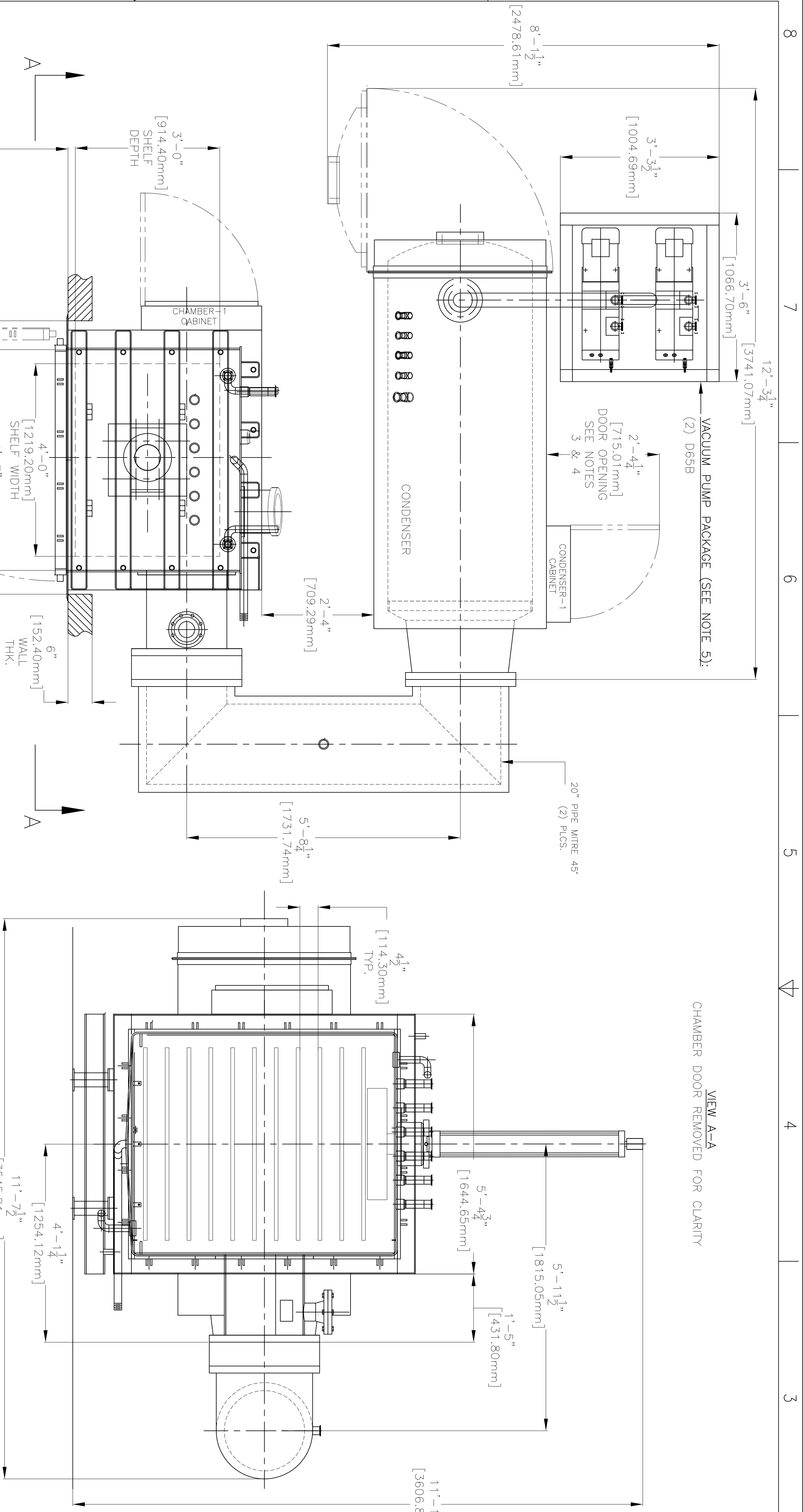


ZONE	REV	DESCRIPTION	DRWN/DATE	CHK/DATE	APPD/DATE



UNLESS OTHERWISE SPECIFIED FIRST I/O

DIMENSIONS ARE IN INCHES.

FRACTIONS	1/64	DRAWN	I.V.	DATE	1/9/11
TOLERANCES	±.005	CHECK		DATE	
3 DECIMAL	±.005	APPROVED		DATE	
ANGLE	1/2°				

DO NOT SCALE DRAWING

BREAK SHARP EDGES AND REMOVE ALL DIMS

SIMILAR TO

CAD NO. SIZE DWG. NO. REV

SCALE 1"=1'-0" SHEET 1 OF 1 DISK NO.

120F-XS200-SS20C REFURBISHED

TITLE PRELIMINARY GENERAL ARRANGEMENT

SP INDUSTRIES
955 WEARNS ROAD
WARRMINSTER, PA 18974

SD-2207

- NOTES:
1. ALL EQUIPMENT LOCATION DIMENSIONS TO BE VERIFIED BY CUSTOMER.
 2. LOCATION OF REFRIGERATION/HEAT TRANSFER PKG. TO BE DETERMINED BY CUSTOMER
 3. TYPICAL CABINET SIZE AND LOCATION IS SHOWN (CONSULT WITH SP IND. FOR ALTERNATIVE CABINET LOCATION)
 4. ELECTRICAL ENCLOSURE LOCATION SHALL COMPLY TO NEC-2008 TABLE 110.26(A)(1) WORKING SPACES
 5. LOCATION OF VACUUM PUMP TO BE DETERMINED BY CUSTOMER

8 7 6 5 4 3 2 1

A B C D